

# LAC1500

## Linear actuator for solar tracker

### ★ Features

Adjustable stroke

Reed sensor

Acme screw

Self-locking

Water & dust resistant

Enhanced antirust quality

High performance & service life

High precision

Heavy duty bracket and static load capacity

### Option

Stroke length: 18"/ 24"/ 36" (inch)

Voltage: 24 /36 VDC

Sensor type : Reed

### ★ Spec.

Actuator Type	Rod type		
Stroke length	36"	24"	18"
Optimal stroke	33"~35"	21"~23"	15"~17"
Static Load	5,390N		
Load capacity	2,450N		
Dynamic load	3,430 N		
Speed(Non-load)	5.4mm/sec.		
Resolution	1.26 pulse/mm		
Input Voltage	36VDC		
Load current	≤2.5A		
Duty cycle	20%		

### ★ Packaging

Packing spec.	123*20*14.7(cm)
Weight	10 kgs



Drive screw : Acme

★ Rating

Operating temperature: from -30 to 50°C

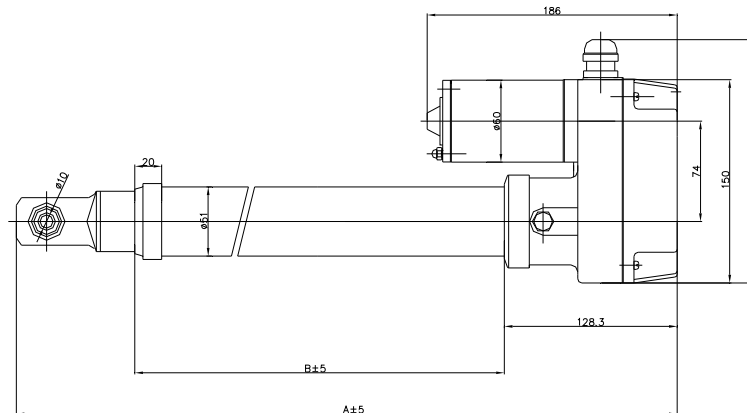
★ Specifications



Industrial grade rod end



super-grip heavy duty Bracket



All data and dimensions in this page are subject to change without notice.